

JAKKS Pacific	Product Line: Train World	Minimum Packaging Spec.:
Studio: HK in house		
Customer: US	Vendor: Unitech	
Item No.: 54208 (44734)	Version: US	Revision: R1
Description: Train Pack Instruction Sheet		
Color(s): 1C + PMS 185 M	Coating: x	
Dimension (Width x Height x Depth): 297mm W x 210mm H		
Document Artboard Size: x		

JAKKS Pacific® Battery, Solar or Electrically-Operated Product 90 DAY LIMITED WARRANTY

Thanks for purchasing a great JAKKS Pacific® product!
Please immediately register your product online at www.jakks.com/warranty.
Registration is not required for the effectiveness of this limited warranty.

IMPORTANT NOTICE TO CONSUMER:

This 90 DAY LIMITED WARRANTY applies to the original product purchaser, provided the product: 1) was purchased from an authorized JAKKS™ distributor/dealer/retailer, and 2) is returned at your expense, postage pre-paid and insured, along with the original dated sales receipt to the address noted below. Please save a copy of your original sales receipt, as the original receipt will not be returned to you. If you return the product to us without the original dated sales receipt, this warranty coverage will not apply. If the product is determined by JAKKS to be defective and returned to JAKKS within the 90 day warranty period, we will (at our option) repair or replace it. Return shipment to you may take up to 6 weeks, depending upon your location. If your product is repaired or replaced, it will be warranted for the longer of the original warranty or for 30 days after warranty service.

SCOPE OF LIMITED WARRANTY: The product is warranted to be: a) tested and inspected before shipment, and b) free of defects in material and workmanship for 90 days from date of purchase. If a covered defect occurs within the warranty period, then at our sole option, we will repair or replace the product or provide you with another product of equal value.

WHAT IS NOT COVERED BY LIMITED WARRANTY: THIS WARRANTY IS VOID IF THE PRODUCT HAS BEEN MODIFIED OR REPAIRED BY USER OR OTHERS OR IF IT HAS BEEN DAMAGED AS A RESULT OF ACCIDENT, IMMERSION IN WATER, NEGLIGENCE, ABUSE, MISUSE, BATTERY LEAKAGE, IMPROPER BATTERY INSTALLATION, UNAUTHORIZED SERVICE, LOSS OF PARTS, WEATHER, ACTS OF GOD, ANY ACTION OR OMISSION WHICH CONSTITUTES A DEVIATION FROM THE OPERATING INSTRUCTIONS, OR ANY OTHER CAUSES NOT ARISING OUT OF DEFECTS IN WORKMANSHIP OR MATERIALS. **EXCLUSIONS FROM LIMITED WARRANTY:** THIS WARRANTY IS EXCLUSIVE OF AND IN LIEU OF ALL OTHER EXPRESS OR IMPLIED WARRANTIES RELATED TO THIS PRODUCT, INCLUDING ANY IMPLIED WARRANTIES OF MERCHANTABILITY OR FITNESS FOR A PARTICULAR PURPOSE. SPECIAL, INCIDENTAL AND CONSEQUENTIAL DAMAGES ARISING FROM POSSESSION, USE, OR MALFUNCTION OF THIS PRODUCT ARE EXCLUDED BOTH FOR PROPERTY DAMAGE AND PERSONAL INJURY TO THE EXTENT LEGALLY PERMITTED.

ADDITIONAL LEGAL RIGHTS: This warranty provides specific legal rights. You may have other or different rights in your state or country.

QUESTIONS OR COMMENTS: If you experience product difficulties or have questions or comments, you may contact our Consumer Relations department as follows:

Phone: 877-875-2557 (toll-free, North America only) or 909-594-7771 x560 (Monday- Friday, 7:30AM-4:30PM Pacific/GMT -8).
Mail: JAKKS Consumer Relations, 21749 Baker Parkway, Walnut, California USA 91789. Email: consumers@jakks.com

WHEN WRITING TO US: Please include: 1) product name; 2) item number; 3) purchase date; 4) description of the problem being experienced; and 5) your name, address and phone number. Additionally, if eligible under the warranty and so advised by JAKKS Consumer Relations, also include the defective product and the ORIGINAL dated sales receipt evidencing product purchase. Please retain a copy of your receipt. 080309

TM & © 2012 Manufactured by JAKKS Pacific, Inc., 22619 PCH, Malibu, CA 90265 U.S.A.
JAKKS Pacific UK Ltd., 5 Queens Square, Lyndhurst Rd., Ascot, Berkshire SL5 9ED U.K.

MADE IN CHINA

Contents may vary in style, color, shape and decoration from images shown on package or in advertising.
Questions or comments? www.jakks.com, consumers@jakks.com or 1-877-875-2557 in North America or 01344 638909 in the United Kingdom. Retain packaging and instructions since they contain important information.



www.powertrainstoy.com

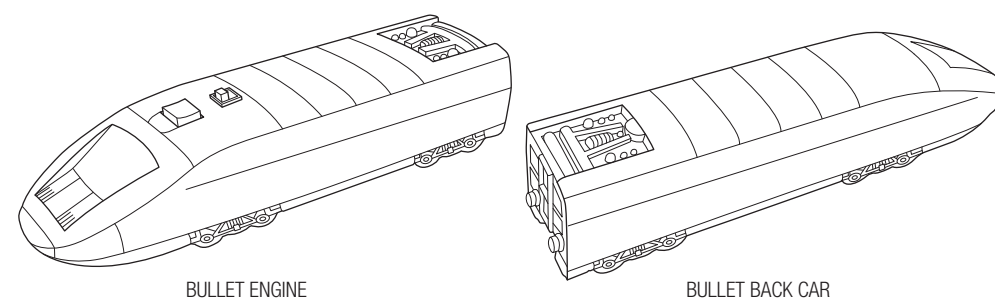
4+

ITEM NO. 54208

POWER TRAINS

COLLECT >>> CONNECT >>> EXPAND

BULLET TRAIN PACK* CONTENTS

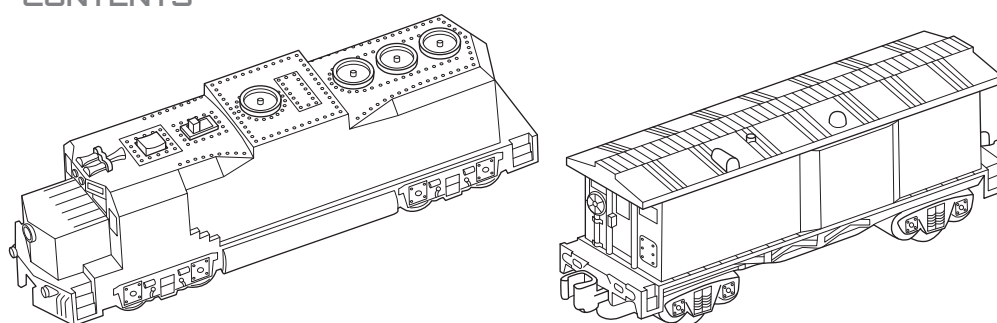


BULLET ENGINE

BULLET BACK CAR

OR

FREIGHT TRAIN PACK* CONTENTS



FREIGHT ENGINE

CABOOSE CAR

COLLECT THEM ALL!

*Packs sold separately.

P4 Back Cover

P1 Cover

BATTERY INSTALLATION

ADULT INSTALLATION REQUIRED

Requires 2 "AAA" (LR03) alkaline batteries.

Batteries not included.

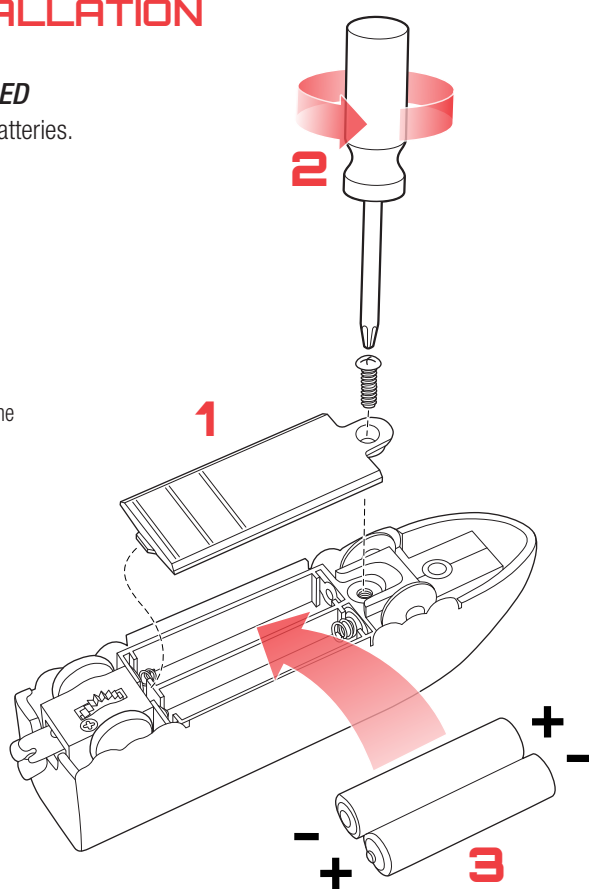
When performance diminishes, replace with fresh batteries.

1 Locate the BATTERY COVER.

2 Using a Phillips screwdriver, loosen the SCREW and remove the BATTERY COVER.

3 Install 2 "AAA" (LR03) ALKALINE BATTERIES in the orientation shown.

4 Replace the BATTERY COVER and tighten the SCREW.



BATTERY SAFETY INFORMATION

WARNING!

Battery acid leakage can cause personal injury and cause damage to the product and surrounding property. If battery leakage occurs, thoroughly wash any affected skin, making sure to keep battery acid away from eyes, ears, nose and mouth. Immediately wash any clothing or other surface that comes in contact with leaked battery acid. Leaking batteries may make "popping" sounds.
NEVER mix old and new batteries or different brands of batteries.
NEVER mix alkaline, standard (carbon-zinc), or rechargeable (nickel-cadmium) batteries.
NEVER use rechargeable batteries with this product.
NEVER dispose of batteries in fire, as they may leak and explode.

NEVER disassemble, modify, or attempt to short circuit the battery compartment.
NEVER leave batteries in the product for long periods (a week or more) of non-use.
NEVER leave the product on after the batteries have lost their charge.
NEVER put batteries in backwards by placing the negative (-) battery pole into the positive (+) receptor slot.
ALWAYS have an adult install and change the batteries.
ALWAYS remove exhausted batteries from toy.
ALWAYS have an adult install batteries consistent with installation instructions.
ALWAYS use batteries according to the instructions.

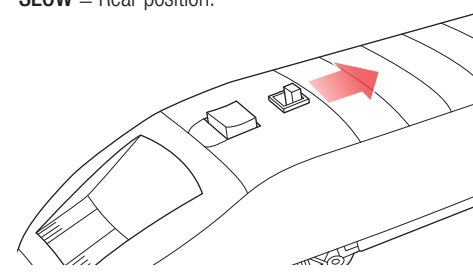
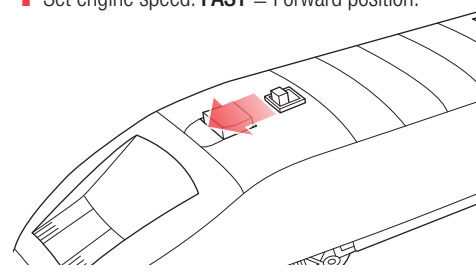
SAFETY INFORMATION

- > NEVER launch where people, animals, or unintended objects may be struck.
- > ALWAYS keep fingers and other items away from WHEELS while they spin.
- > ALWAYS play in safe surroundings, away from streets or moving vehicles.
- > ALWAYS remove furniture and other objects from area before playing.

OPERATION

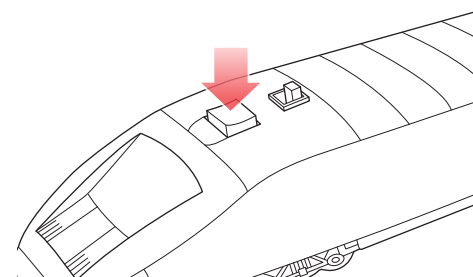
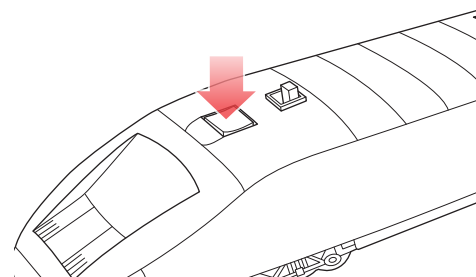
1 Set engine speed. **FAST** = Forward position.

SLOW = Rear position.



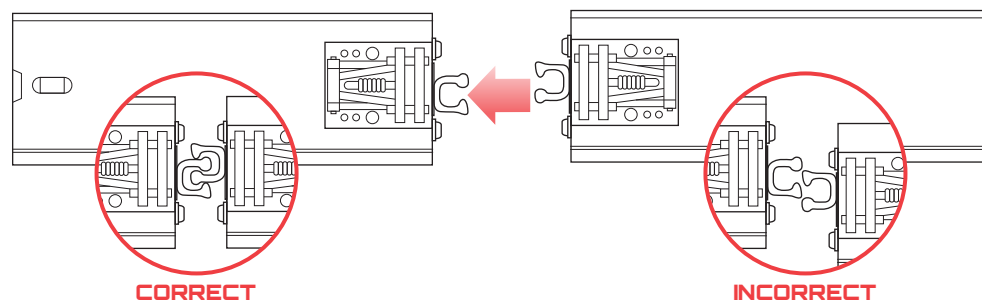
2 Press button down to start engine.

Press and release button up to stop engine.



NOTE: Use on a flat clean surface or on Power Trains™ tracks (sold separately). **DO NOT** use on carpets!

3 Press trains together to couple. Pull apart to uncouple.



CORRECT

INCORRECT

P2 Inside Left

P3 Inside Right